

## STORAGE TANKS

### G SERIES STORAGE TANK WITH ONE COIL

G series storage tanks are manufactured for healthy hot water production with its enamel coated inner surface. With high density, direct-injected monoblock PU insulation, tank keeps stored hot water for a long period.



#### Technical information

Inner coating: 2 layer glazed enamel coating.

Heat exchanger: Glazed enamel coated steel serpentine coil.

Cathodic protection: By Mg Anode bar with anode tester display outside.

Insulation: Direct-injected monoblock Polyurethane hard foam.



#### Specifications

Specification	Unit	Type				
		G-101	G-161	G-201	G-301	G-351
Capacity	lt.	100	160	200	300	350
Diameter	mm	480	580	580	580	735
Width	mm	550	655	655	655	805
Height	mm	1172	1120	1370	1870	1415
Heating coil area	m <sup>2</sup>	0,70	0,87	1,32	1,52	1,29
Heating coil volume	lt.	3,80	6,62	9,95	8,4	9,7
Flange diameter	mm	106	106	106	106	106
Test pressure	bar	18	18	18	18	12
Weight	kg	70	100	110	128	140
Insulation material		PU	PU	PU	PU	PU
Height of connections	mm					
Cold water (CW)	mm	204	204	204	204	202
Hot water (HW)	mm	944	895	1145	1645	1182
Heating inlet	mm	654	665	845	910	695
Heating outlet	mm	299	305	305	305	335
Circulation	mm	489	445	495	555	575
Flange	mm	305	305	305	305	362
Permanent power of heating coil						
tCW=10°C	kW	16,7	26,1	33,2	43,7	39,5
tHW=45°C	lt/h	408	638	813	1070	967

#### EZINC METAL SAN. TIC. A.S.

O.S.B. 23. Cadde No:31 TR-38070 Kayseri - TURKEY

Tel: +90 352 3211321 - Fax: +90 352 321325

sales@ezinc.com.tr

www.ezinc.com.tr

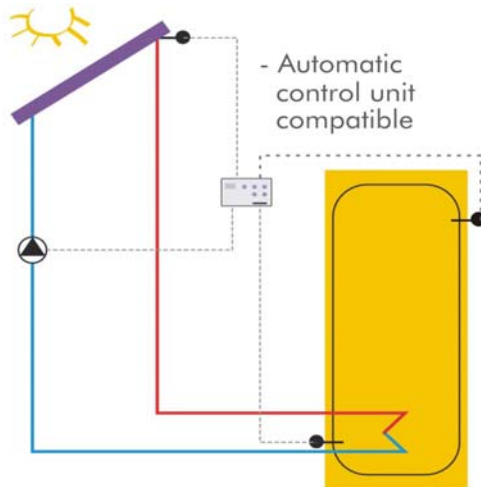
## STORAGE TANKS

**G SERIES STORAGE TANK WITH ONE COIL**

**Specifications**

Specification	Unit	Type					
		G-501	G-601	G-801	G-1001	G-1501	G-2001
Capacity	lt.	500	600	800	1000	1500	2000
Diameter	mm	735	735	1000	1000	1350	1350
Width	mm	805	805	1100	1100	1450	1450
Height	mm	1820	2015	1775	2020	1700	2050
Heating coil area	m <sup>2</sup>	2,4	2,4	3,53	3,86	3,97	5,31
Heating coil volume	lt.	20,83	30,67	30,67	33,57	34,42	46,13
Flange diameter	mm	106	106*	106*	106*	106*	106*
Test pressure	bar	12	12	12	12	12	12
Weight	kg	190	207	280	335	510	560
Insulation material		PU	PU	Soft Foam	Soft Foam	Soft Foam	Soft Foam
Height of connections	mm						
Cold water (CW)	mm	202	202	222	232,5	293,5	293,5
Hot water (HW)	mm	1582	1782	1772	1782	1393,5	1743,5
Heating inlet	mm	985	985	1139,5	1163	970,5	1144,5
Heating outlet	mm	325	325	359,5	383	448,5	448,5
Circulation	mm	645	725	859,5	848	865	1000
Flange	mm	362	362-550	407-620	438-608	604-654	604-704
Permanent power of heating coil							
tCW=10°C	kW	67,6	67,6	99,6	109	112	149,7
tHW=45°C	lt/h	1664	1664	2449,8	2680,9	2756,7	3684

\* These models have 2 flanges.


**EZINC METAL SAN. TIC. A.S.**

O.S.B. 23. Cadde No:31 TR-38070 Kayseri - TURKEY

Tel: +90 352 3211321 - Fax: +90 352 321325

sales@ezinc.com.tr

www.ezinc.com.tr